

FRANSEN

PRICELIST

SEK

MARCH 2024

SENAB

Färgmarkeringar och/eller symboler för hållbara alternativ i prislistan:

Mörkgrön markering eller symbol

Miljömärkt produkt – Möbler där hela den sammansatta varan har en typ 1 miljömärkning enligt ISO 14024 med Svanen, Möbelfakta, EU Ecolabel eller annan likvärdig märkning.

Ljusgrön markering eller symbol

Hållbarhetsmärkt produkt eller beståndsdel – Möbler där hela eller delar av den sammansatta varan är hållbarhetsmärkt, exempelvis med FSC, EU Ecolabel eller OEKO-TEX®. Leverantören ska kunna ge mer detaljerad information om vilka delar eller variationer som är hållbarhetsmärka vid begäran.

Orange markering eller symbol

Klimatberäknad produkt – Produkt med dokumenterad miljövarudeklaration (EPD) enligt ISO 14025.

Lila markering eller symbol

Produkt med återvunnet eller förnybart material (enligt definitionerna i ISO 14021). Leverantören ska kunna ge information om andel (%) återvunnet och/eller förnybart (biobaserat) vid begäran. Märkning av återvinningsbart material utgår.

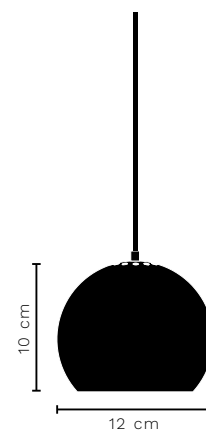
Blå markering eller symbol

Demonterbar produkt – Produkt som är demonterbar till olika komponenter och beståndsdelar som i första hand möjliggör återbruk och i andra hand materialåtervinning när produkten nått sin fulla livslängd. Produkten ska vara designad för renovering, det vill säga att det ska vara enkelt att reparera och byta ut moduler, komponenter och beståndsdelar som slits över tid. Exempelvis ska ytskikt, som bordsskivor, textil och stoppning kunna tas isär, avlägsnas och ersättas med hjälp av vanligt förekommande manuella verktyg, ej specialverktyg. Enklare reparationer och utbytesarbeten ska kunna utföras av en lekman. Om det krävs fackmanakunskap för mer avancerade arbeten ska det framgå av anvisningarna som leverantören ska kunna ge vid begäran. Anvisningarna ska innehålla en sprängskiss, steg för steg beskrivning inklusive vilka verktyg som krävs samt hur möbelns ingående delar bör källsorteras.

BALL Ø12

DESIGNED BY BENNY FRANDSEN

WATCH LAMP ONLINE



ITEM NO.	COLOUR/FINISH	DETAILS	COLLI QTY.	LEAD TIME	SEK EXCL VAT	SEK INCL VAT
135302	● Matt Black	Pendant Ø12 300 cm black fabric cord	1 pc.	Stock item	636	795
135303	○ Matt White	Pendant Ø12 300 cm white fabric cord	1 pc.	Stock item	636	795
136653	● Oak	Pendant Ø12 300 cm black fabric cord	1 pc.	Stock item	1276	1595
136654	● Walnut	Pendant Ø12 300 cm black fabric cord	1 pc.	Stock item	1276	1595

Test & Certifications
CE

Light Source
Ø12: E14 230V MAX 25W
Ø12 wood: G9 230V MAX 30W

Bulb not included

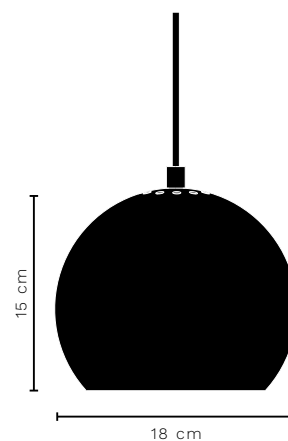
Packaging Dimensions
13 x 13 x 16 cm

Net Weight
Ø12: 0,41 kg
Ø12 wood: 0,60 kg

BALL Ø18

DESIGNED BY BENNY FRANDSEN

WATCH LAMP ONLINE



ITEM NO.	COLOUR/FINISH	DETAILS	COLLI QTY.	LEAD TIME	SEK EXCL VAT	SEK INCL VAT
133299	● Blazed Blue	Pendant Ø18 300 cm blue fabric cord	1 pc.	Stock item	1076	1345
123392	● Glossy Mint	Pendant Ø18 300 cm black fabric cord	1 pc.	Stock item	1076	1345
123391	● Glossy Nude	Pendant Ø18 300 cm black fabric cord	1 pc.	Stock item	1076	1345
123395	● Glossy Warm Grey	Pendant Ø18 300 cm black fabric cord	1 pc.	Stock item	1076	1345
133298	● Loud Lilac	Pendant Ø18 300 cm purple fabric cord	1 pc.	Stock item	1076	1345
100193	● Matt Black	Pendant Ø18 300 cm black fabric cord	1 pc.	Stock item	1076	1345
100194	○ Matt White	Pendant Ø18 300 cm white fabric cord	1 pc.	Stock item	1076	1345
133297	● Peachy Powder	Pendant Ø18 300 cm peach fabric cord	1 pc.	Stock item	1076	1345
100186	● Brushed Satin	Pendant Ø18 300 cm black fabric cord	1 pc.	Stock item	1276	1595
100167	● Matt Antique Brass	Pendant Ø18 300 cm black fabric cord	1 pc.	Stock item	1276	1595
100188	● Chrome	Pendant Ø18 300 cm black fabric cord	1 pc.	Stock item	1276	1595
134871	● Solid Brass	Pendant Ø18 300 cm black fabric cord	1 pc.	Stock item	1876	2345
134872	● Solid Copper	Pendant Ø18 300 cm black fabric cord	1 pc.	Stock item	1876	2345

Test & Certifications
CE

Light Source
E27 230V MAX 25W

Packaging Dimensions
18 x 18 x 16 cm

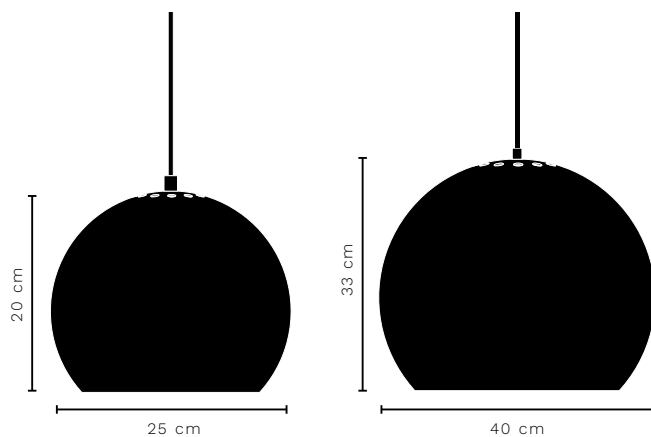
Bulb not included

Net Weight
0,7 kg

BALL Ø25 + Ø40

DESIGNED BY BENNY FRANDSEN

WATCH LAMP ONLINE



ITEM NO.	COLOUR/FINISH	DETAILS	COLLI QTY.	LEAD TIME	SEK EXCL VAT	SEK INCL VAT
119322	● Matt Black	Pendant Ø25 300 cm black fabric cord	1 pc.	Stock item	1516	1895
119321	○ Matt White	Pendant Ø25 300 cm white fabric cord	1 pc.	Stock item	1516	1895
100532	● Matt Black	Pendant Ø40 300 cm black fabric cord	1 pc.	Stock item	4516	5645
100534	○ Matt White	Pendant Ø40 300 cm white fabric cord	1 pc.	Stock item	4516	5645

Test & Certifications
CE

Light Source
Ø25: E27 230V MAX 40W
Ø40: E27 230V MAX 25W

Bulb not included

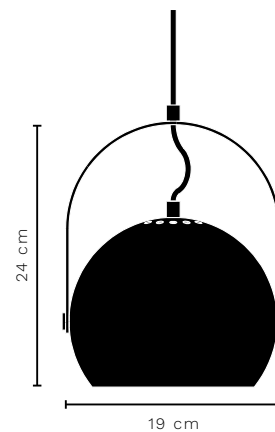
Packaging Dimensions
Ø25: 26 x 26 x 23 cm
Ø40: 42 x 42 x 39 cm

Net Weight
Ø25: 1,00 kg
Ø40: 2,00 kg

BALL HANDLE Ø18

DESIGNED BY BENNY FRANDSEN

WATCH LAMP ONLINE



ITEM NO.	COLOUR/FINISH	DETAILS	COLLI QTY.	LEAD TIME	SEK EXCL VAT	SEK INCL VAT
100319	● Matt Black	Pendant Ø18 300 cm black fabric cord	1 pc.	Stock item	1396	1745

Test & Certifications
CE

Light Source
E27 230V MAX 40W

Packaging Dimensions
20 x 20 x 26 cm

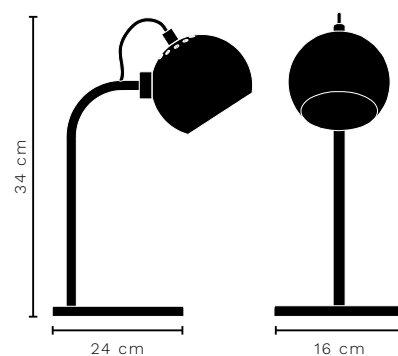
Bulb not included

Net Weight
0,8 kg

BALL SINGLE TABLE

DESIGNED BY BENNY FRANDBEN

WATCH LAMP ONLINE



ITEM NO.	COLOUR/FINISH	DETAILS	COLLI QTY.	LEAD TIME	SEK EXCL VAT	SEK INCL VAT
124073	● Matt Black	Table lamp 250 cm black fabric cord with on/off switch	1 pc.	Stock item	1516	1895

Test & Certifications
CE

Light Source
E14 230V MAX 25W

Packaging Dimensions
21 x 20 x 35 cm

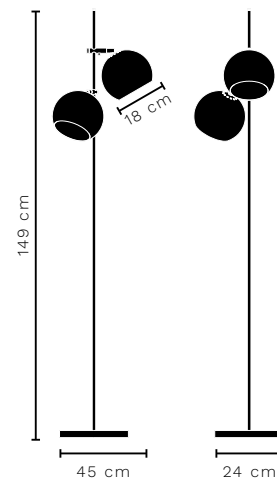
Bulb not included

Net Weight
1,40 kg

BALL DOUBLE FLOOR

DESIGNED BY BENNY FRANDSEN

WATCH LAMP ONLINE



ITEM NO.	COLOUR/FINISH	DETAILS	COLLI QTY.	LEAD TIME	SEK EXCL VAT	SEK INCL VAT
137095	● Matt Black	Floor lamp 280 cm black fabric cord with on/off switch	1 pc.	Stock item	3996	4995

Test & Certifications
CE

Light Source
2 x E27 230V MAX 25W

Bulb is not included

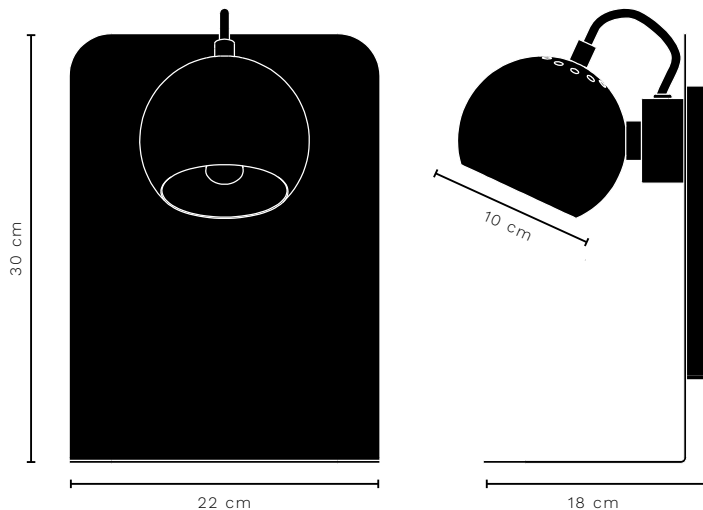
Packaging Dimensions
Body: 9 x 32 x 80 cm
Shade: 22 x 22 x 43 cm

Net Weight
6,30 kg

BALL WALL USB

DESIGNED BY BENNY FRANDSEN

[WATCH LAMP ONLINE](#)



ITEM NO.	COLOUR/FINISH	DETAILS	COLLI QTY.	LEAD TIME	SEK EXCL VAT	SEK INCL VAT
104530	● Matt Black	Wall with USB 250 cm black fabric cord. On/off switch on wall box	1 pc.	Stock item	2516	3145
104534	○ Matt White	Wall with USB 250 cm black fabric cord. On/off switch on wall box	1 pc.	Stock item	2516	3145

Test & Certifications
CE

Light Source
E14 230V MAX 25W

Bulb not included

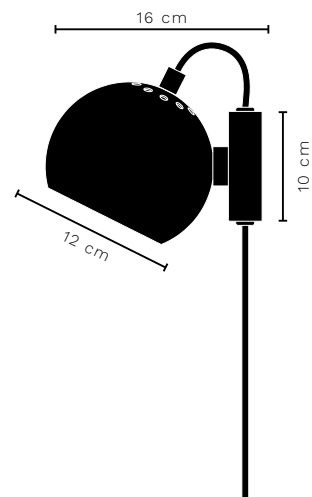
Packaging Dimensions
20 x 26 x 37 cm

Net Weight
2,70 kg

BALL WALL

DESIGNED BY BENNY FRANDSEN

WATCH LAMP ONLINE



ITEM NO.	COLOUR/FINISH	DETAILS	COLLI QTY.	LEAD TIME	SEK EXCL VAT	SEK INCL VAT
123398	● Glossy Mint	Wall Ø12 230 cm black fabric cord. On/off switch on wall box	1 pc.	Stock item	876	1095
123397	● Glossy Nude	Wall Ø12 230 cm black fabric cord. On/off switch on wall box	1 pc.	Stock item	876	1095
123400	● Glossy Pale Grey	Wall Ø12 230 cm black fabric cord. On/off switch on wall box	1 pc.	Stock item	876	1095
123399	● Glossy Red	Wall Ø12 230 cm black fabric cord. On/off switch on wall box	1 pc.	Stock item	876	1095
104755	● Matt Black	Wall Ø12 230 cm black fabric cord. On/off switch on wall box	1 pc.	Stock item	876	1095
127410	● Matt Citadel Blue	Wall Ø12 230 cm black fabric cord. On/off switch on wall box	1 pc.	Stock item	876	1095
104739	● Matt Petrol Blue	Wall Ø12 230 cm black fabric cord. On/off switch on wall box	1 pc.	Stock item	876	1095
104756	○ Matt White	Wall Ø12 230 cm white fabric cord. On/off switch on wall box	1 pc.	Stock item	876	1095
104741	● Matt Antique Brass	Wall Ø12 230 cm black fabric cord. On/off switch on wall box	1 pc.	Stock item	1276	1595

Test & Certifications
CE

Light Source
E14 230V MAX 25W

Packaging Dimensions
13 x 13 x 16 cm

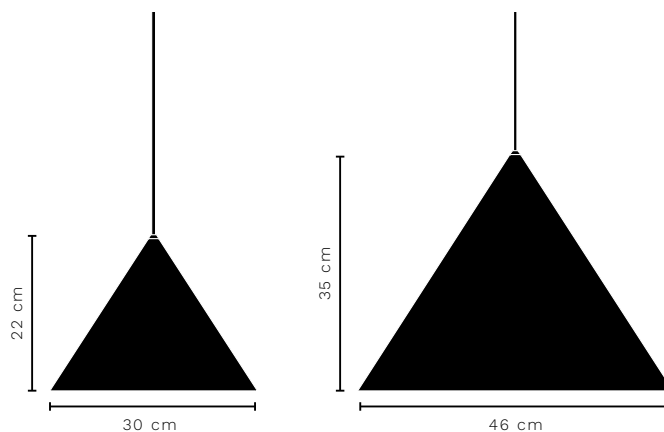
Bulb not included

Net Weight
0,50 kg

BENJAMIN PENDANT Ø30 + Ø46

DESIGNED BY BENNY FRANDBEN

WATCH LAMP ONLINE



ITEM NO.	COLOUR/FINISH	DETAILS	COLLI QTY.	LEAD TIME	SEK EXCL VAT	SEK INCL VAT
100461	● Matt Black	Pendant Ø30 300 cm black fabric cord	1 pc.	Stock item	1516	1895
100464	○ Matt White	Pendant Ø30 300 cm white fabric cord	1 pc.	Stock item	1516	1895
129997	● Atomic Blue	Pendant Ø30 300 cm blue fabric cord	1 pc.	Stock item	1516	1895
100542	● Matt Black	Pendant Ø46 300 cm black fabric cord	1 pc.	Stock item	2516	3145
100546	○ Matt White	Pendant Ø46 300 cm white fabric cord	1 pc.	Stock item	2516	3145
129998	● Atomic Blue	Pendant Ø46 300 cm blue fabric cord	1 pc.	Stock item	2516	3145

Test & Certifications

CE

Light Source

Ø30: E27 230V MAX 25W
Ø46: E27 230V MAX 25W

Bulb not included

Packaging Dimensions

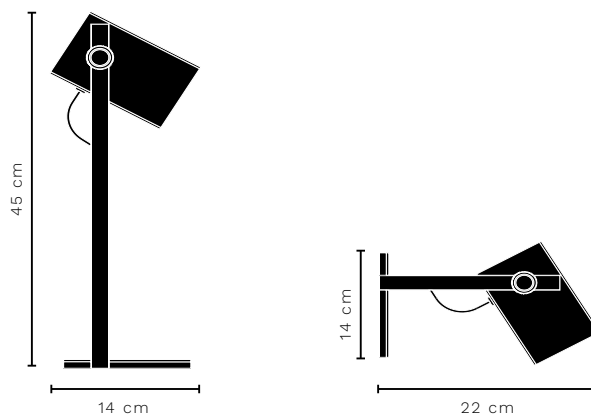
Ø30: 34 x 33 x 28 cm
Ø46: 50 x 50 x 40 cm

Net Weight

Ø30: 0,93 kg
Ø46: 2,10 kg

BF QUADRO TABLE + WALL

DESIGNED BY BENNY FRANSDEN



ITEM NO.	COLOUR/FINISH	DETAILS	COLLI QTY.	LEAD TIME	SEK EXCL VAT	SEK INCL VAT
136682	● Matt Black	Table lamp 250 cm black pvc cord with on/off switch	1 pc.	Stock item	2516	3145
136681	● Matt Black	Wall lamp 250 cm black pvc cord with on/off switch	1 pc.	Stock item	2276	2845

Test & Certifications
CE

Light Source
Table: E14 230V MAX 40W
Wall: E14 230V MAX 40W

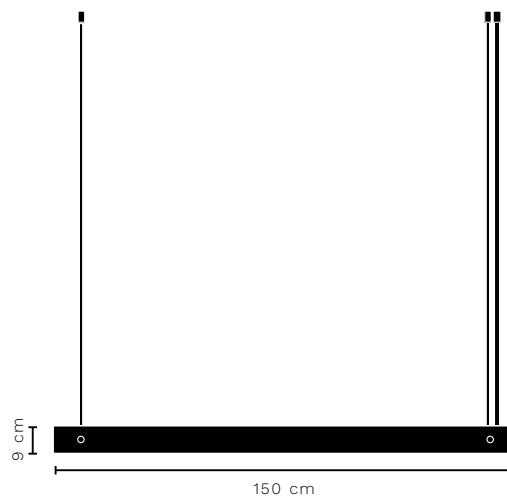
Bulb not included

Packaging Dimensions
Table: 18 x 19,5 x 49 cm
Wall: 18 x 19,5 x 49 cm

Net Weight
Table: 2,60 kg
Wall: 1,60 kg

BRIDGE PENDANT

DESIGNED BY FRANDSEN CREATIVE LAB



ITEM NO.	COLOUR/FINISH	DETAILS	COLLI QTY.	LEAD TIME	SEK EXCL VAT	SEK INCL VAT
135308	● Matt Black	Pendant L150 300 cm black fabric cord and steel wire	1 pc.	Stock item	4116	5145

Test & Certifications
CE

Light Source
G13 230V LED max 18W

Packaging Dimensions
8 x 165 x 12 cm

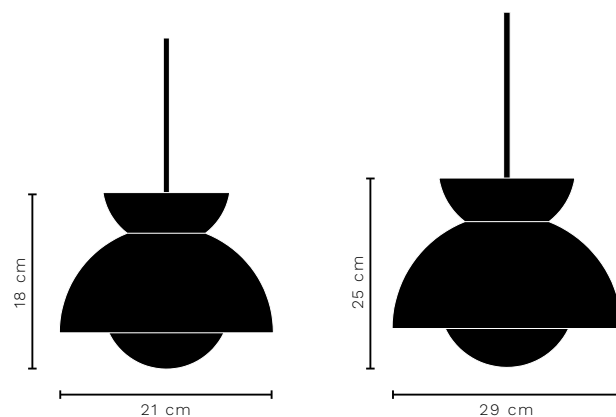
Bulb not included

Net Weight
6,00 kg

BUTTERFLY PENDANT Ø21 + Ø29

DESIGNED BY TONI RIE

WATCH LAMP ONLINE



ITEM NO.	COLOUR/FINISH	DETAILS	COLLI QTY.	LEAD TIME	SEK EXCL VAT	SEK INCL VAT
125257	● Matt Green	Pendant Ø21 300 cm black fabric cord	1 pc.	Stock item	1396	1745
125254	● Matt Pale Green	Pendant Ø21 300 cm black fabric cord	1 pc.	Stock item	1396	1745
125256	● Matt Red	Pendant Ø21 300 cm black fabric cord	1 pc.	Stock item	1396	1745
125255	● Matt Tan Grey	Pendant Ø21 300 cm black fabric cord	1 pc.	Stock item	1396	1745
134877	● Brass	Pendant Ø21 300 cm black fabric cord	1 pc.	Stock item	1756	2195
127031	● Chrome	Pendant Ø21 300 cm black fabric cord	1 pc.	Stock item	1756	2195
127576	● Matt Tan Grey	Pendant Ø29 300 cm black fabric cord	1 pc.	Stock item	2516	3145
134878	● Brass	Pendant Ø29 300 cm black fabric cord	1 pc.	Stock item	3116	3895
134879	● Chrome	Pendant Ø29 300 cm black fabric cord	1 pc.	Stock item	3116	3895

Test & Certifications
CE

Light Source
Ø21: E14 230V MAX 25W
Ø29: E14 230V MAX 25W

Bulb not included

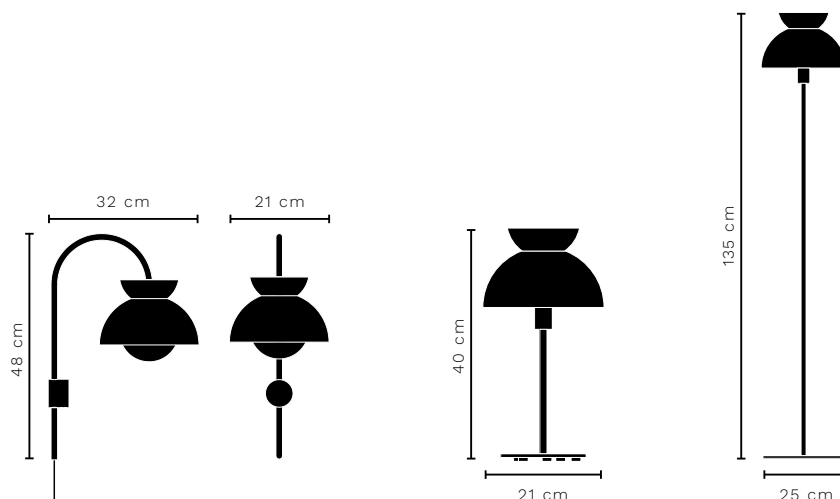
Packaging Dimensions
Ø21: 27 x 27 x 27 cm
Ø29: 36 x 36 x 33 cm

Net Weight
Ø21: 1,2 kg
Ø29: 1,6 kg

BUTTERFLY WALL + TABLE + FLOOR

DESIGNED BY TONI RIE

[WATCH LAMP ONLINE](#)



ITEM NO.	COLOUR/FINISH	DETAILS	COLLI QTY.	LEAD TIME	SEK EXCL VAT	SEK INCL VAT
130690	● Matt Tan Grey	Wall lamp 250 cm black fabric cord. On/off switch on wall box	1 pc.	Stock item	1876	2345
134881	● Brass	Wall lamp 250 cm black fabric cord. On/off switch on wall box	1 pc.	Stock item	2516	3145
134882	● Chrome	Wall lamp 250 cm black fabric cord. On/off switch on wall box	1 pc.	Stock item	2516	3145
127674	● Matt Tan Grey	Table lamp 250 cm black fabric cord with on/off switch	1 pc.	Stock item	1756	2195
130674	● Brass	Table lamp 250 cm black fabric cord with on/off switch	1 pc.	Stock item	2116	2645
127677	● Chrome	Table lamp 250 cm black fabric cord with on/off switch	1 pc.	Stock item	2116	2645
127713	● Matt Tan Grey	Floor lamp 300 cm black fabric cord with on/off switch	1 pc.	Stock item	2756	3445
134874	● Brass	Floor lamp 300 cm black fabric cord with on/off switch	1 pc.	Stock item	3756	4695
134875	● Chrome	Floor lamp 300 cm black fabric cord with on/off switch	1 pc.	Stock item	3756	4695

Test & Certifications

CE

Light Source

Wall: E14 230V MAX 14W
 Table: E14 230V MAX 25W
 Floor: E14 230V MAX 25W

Bulb not included

Packaging Dimensions

Wall: 54,5 x 27,5 x 38,5 cm
 Table: 23 x 23 x 43 cm
 Floor: 20 x 29 x 72 cm

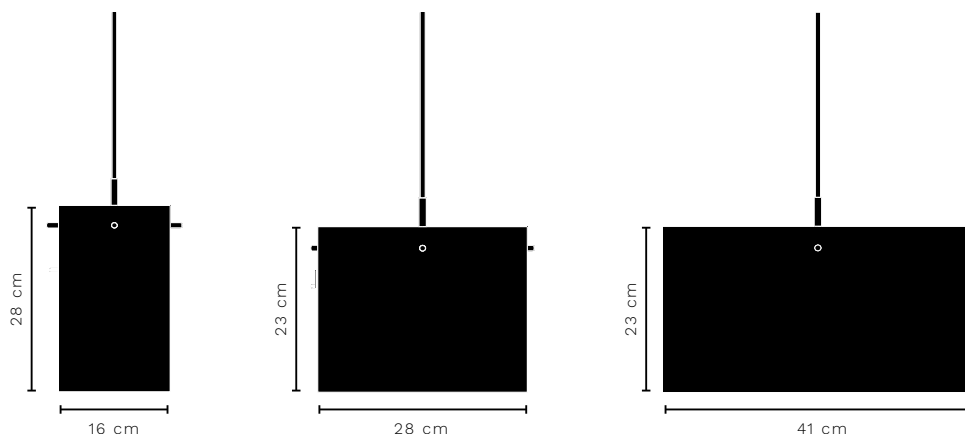
Net Weight

Wall: 1,30 kg
 Table: 1,40 kg
 Floor: 3,70 kg

FM1954 PENDANT Ø16 + Ø28 + Ø41

DESIGNED BY FRIIS & MOLTKE

WATCH LAMP ONLINE



ITEM NO.	COLOUR/FINISH	DETAILS	COLLI QTY.	LEAD TIME	SEK EXCL VAT	SEK INCL VAT
128908	● Matt Black structure	Pendant Ø16 300 cm black fabric cord	1 pc.	Stock item	2516	3145
128911	● Matt Grey structure	Pendant Ø16 300 cm black fabric cord	1 pc.	Stock item	2516	3145
128909	● Matt White structure	Pendant Ø16 300 cm black fabric cord	1 pc.	Stock item	2516	3145
136659	● Oak	Pendant Ø16 300 cm black fabric cord	1 pc.	Stock item	3116	3895
136660	● Walnut	Pendant Ø16 300 cm black fabric cord	1 pc.	Stock item	3116	3895
128913	● Matt Black structure	Pendant Ø28 300 cm black fabric cord	1 pc.	Stock item	3116	3895
128915	● Matt Grey structure	Pendant Ø28 300 cm black fabric cord	1 pc.	Stock item	3116	3895
128914	● Matt White structure	Pendant Ø28 300 cm black fabric cord	1 pc.	Stock item	3116	3895
136661	● Oak	Pendant Ø28 300 cm black fabric cord	1 pc.	Stock item	3756	4695
136662	● Walnut	Pendant Ø28 300 cm black fabric cord	1 pc.	Stock item	3756	4695
128916	● Matt Black structure	Pendant Ø41 300 cm black fabric cord	1 pc.	Stock item	4396	5495
128919	● Matt Grey structure	Pendant Ø41 300 cm black fabric cord	1 pc.	Stock item	4396	5495
128918	● Matt White structure	Pendant Ø41 300 cm black fabric cord	1 pc.	Stock item	4396	5495
136663	● Oak	Pendant Ø41 300 cm black fabric cord	1 pc.	Stock item	4996	6245
136664	● Walnut	Pendant Ø41 300 cm black fabric cord	1 pc.	Stock item	4996	6245

Test & Certifications
CE

Light Source
Ø16: E27 230V MAX 25W
Ø28: E27 230V MAX 25W
Ø41: E27 230V MAX 25W

Bulb not included

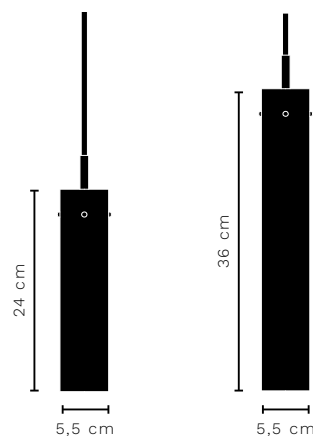
Packaging Dimensions
Ø16: 24 x 24 x 38 cm
Ø28: 35 x 35 x 33 cm
Ø41: 48 x 48 x 33 cm

Net Weight
Ø16: 1,50 kg
Ø28: 2,60 kg
Ø41: 5,00 kg

FM2014 PENDANT Ø5,5XH24 + Ø5,5XH36

DESIGNED BY FRIIS & MOLTKE

WATCH LAMP ONLINE



ITEM NO.	COLOUR/FINISH	DETAILS	COLLI QTY.	LEAD TIME	SEK EXCL VAT	SEK INCL VAT
128985	● Matt Black structure	Pendant Ø5,5xH24 300 cm black fabric cord	1 pc.	Stock item	1876	2345
128989	● Matt Grey structure	Pendant Ø5,5xH24 300 cm black fabric cord	1 pc.	Stock item	1876	2345
128988	● Matt White structure	Pendant Ø5,5xH24 300 cm black fabric cord	1 pc.	Stock item	1876	2345
130588	● Solid Brass Glossy	Pendant Ø5,5xH24 300 cm black fabric cord	1 pc.	Stock item	2756	3445
130587	● Solid Brass Polished	Pendant Ø5,5xH24 300 cm black fabric cord	1 pc.	Stock item	2756	3445
130589	● Stainless Steel Glossy	Pendant Ø5,5xH24 300 cm black fabric cord	1 pc.	Stock item	2516	3145
130590	● Stainless Steel Polished	Pendant Ø5,5xH24 300 cm black fabric cord	1 pc.	Stock item	2516	3145
128999	● Matt Black structure	Pendant Ø5,5xH36 300 cm black fabric cord	1 pc.	Stock item	2116	2645
129002	● Matt Grey structure	Pendant Ø5,5xH36 300 cm black fabric cord	1 pc.	Stock item	2116	2645
129001	● Matt White structure	Pendant Ø5,5xH36 300 cm black fabric cord	1 pc.	Stock item	2116	2645
130597	● Solid Brass Glossy	Pendant Ø5,5xH36 300 cm black fabric cord	1 pc.	Stock item	3276	4095
130596	● Solid Brass Polished	Pendant Ø5,5xH36 300 cm black fabric cord	1 pc.	Stock item	3276	4095
130593	● Stainless Steel Glossy	Pendant Ø5,5xH36 300 cm black fabric cord	1 pc.	Stock item	2996	3745
130594	● Stainless Steel Polished	Pendant Ø5,5xH36 300 cm black fabric cord	1 pc.	Stock item	2996	3745

Test & Certifications
CE

Light Source
Ø5,5xH24: GU10 230V max 10W
Ø5,5xH36: GU10 230V max 10W

Packaging Dimensions
Ø5,5xH24: 13 x 13 x 38 cm
Ø5,5xH36: 13 x 13 x 50 cm

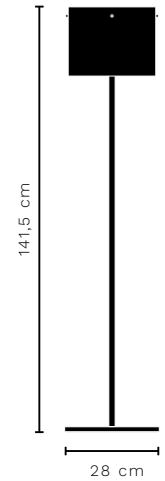
Bulb not included

Net Weight
Ø5,5xH24: 0,80 kg
Ø5,5xH36: 1,14 kg

FM1954 FLOOR LAMP

DESIGNED BY FRIIS & MOLTKE

WATCH LAMP ONLINE



ITEM NO.	COLOUR/FINISH	DETAILS	COLLI QTY.	LEAD TIME	SEK EXCL VAT	SEK INCL VAT
137092	● Matt Black Structure	Floor lamp 300 cm black fabric cord with on/off switch	3 pcs.	Stock item	6276	7845
137093	● Matt White Structure	Floor lamp 300 cm black fabric cord with on/off switch	3 pcs.	Stock item	6276	7845
137094	● Matt Grey Structure	Floor lamp 300 cm black fabric cord with on/off switch	3 pcs.	Stock item	6276	7845

Test & Certifications
CE

Light Source
E27 230V MAX 25W

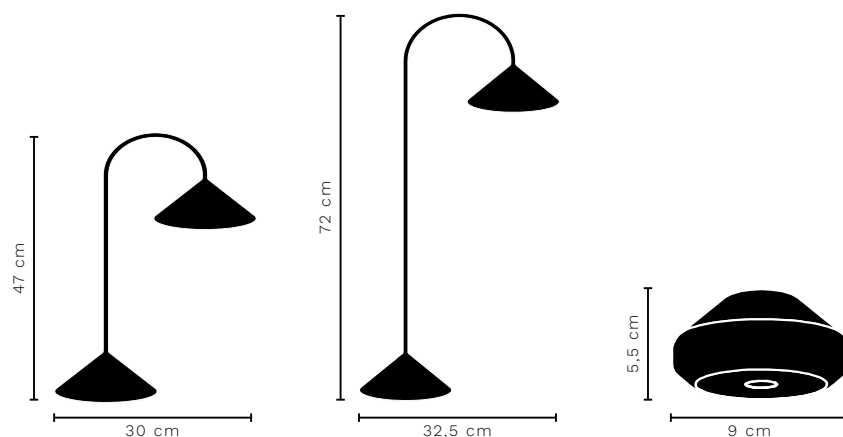
Packaging Dimensions
Base: 33,6 x 33,6 x 10 cm
Shade: 26 x 26 x 33 cm
Stem: 16 x 142 x 16 cm

Net Weight
8,66 kg

Bulb not included

GRASP TABLE

DESIGNED BY THOMAS ALBERTSEN



ITEM NO.	COLOUR/FINISH	DETAILS	COLLI QTY.	LEAD TIME	SEK EXCL VAT	SEK INCL VAT
136345	● Matt Black	Portable H47 Suitable for indoor and outdoor use	1 pc.	Stock item	1876	2345
135263	○ Matt White	Portable H47 Suitable for indoor and outdoor use	1 pc.	Stock item	1876	2345
136346	● Matt Beetroot	Portable H47 Suitable for indoor and outdoor use	1 pc.	Stock item	1876	2345
136347	● Matt Petroleum	Portable H47 Suitable for indoor and outdoor use	1 pc.	Stock item	1876	2345
136344	● Solid Brass	Portable H47 Suitable for indoor and outdoor use	1 pc.	Stock item	2756	3445
136348	● Matt Black	Portable H72 Suitable for indoor and outdoor use	1 pc.	Stock item	2116	2645
136349	○ Matt White	Portable H72 Suitable for indoor and outdoor use	1 pc.	Stock item	2116	2645
136351	● Matt Beetroot	Portable H72 Suitable for indoor and outdoor use	1 pc.	Stock item	2116	2645
136350	● Matt Petroleum	Portable H72 Suitable for indoor and outdoor use	1 pc.	Stock item	2116	2645
135262	● Solid Brass	Portable H72 Suitable for indoor and outdoor use	1 pc.	Stock item	2996	3745
136352	● Opal	Magnetic Light Source Recharged by USB. Charging cable is included.	1 pc.	Stock item	636	795

Test & Certifications

CE

Light Source

Frandsen ONE Light Source

Frandsen ONE included

Packaging Dimensions

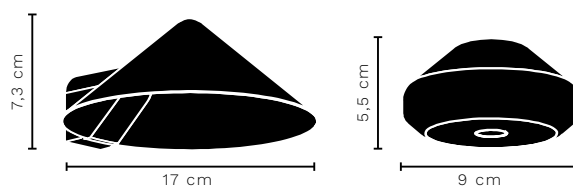
H47: 58 x 23,5 x 36,6 cm
H72: 84 x 27,5 x 42,4 cm
F. ONE: 10,2 x 11,2 x 6,2 cm

Net Weight

H47: 3,08 kg
H72: 1,77 kg
F. ONE: 0,18 kg

GRASP WALL

DESIGNED BY THOMAS ALBERTSEN



ITEM NO.	COLOUR/FINISH	DETAILS	COLLI QTY.	LEAD TIME	SEK EXCL VAT	SEK INCL VAT
136776	● Matt Black	Wall lamp Easy to mount, no cables required	1 pc.	Stock item	1636	2045
136774	○ Matt White	Wall lamp Easy to mount, no cables required	1 pc.	Stock item	1636	2045
136777	● Matt Beetroot	Wall lamp Easy to mount, no cables required	1 pc.	Stock item	1636	2045
136780	● Matt Petroleum	Wall lamp Easy to mount, no cables required	1 pc.	Stock item	1636	2045
136775	● Solid Brass	Wall lamp Easy to mount, no cables required	1 pc.	Stock item	2276	2845
136352	● Opal	Magnetic Light Source Recharged by USB. Charging cable is included.	1 pc.	Stock item	636	795

Test & Certifications
CE

Light Source
Frandsen ONE Light Source

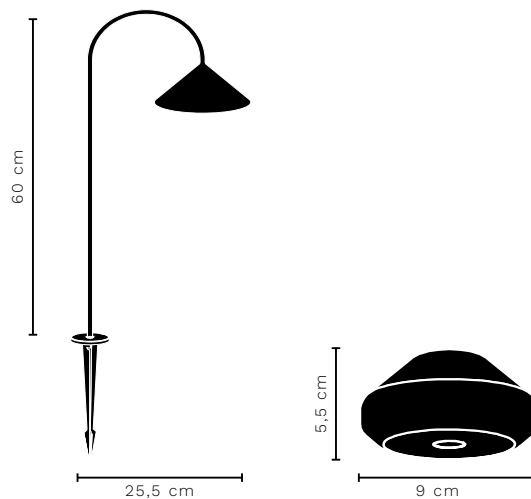
Packaging Dimensions
29,1 x 20,6 x 12,6 cm
F. ONE: 10,2 x 11,2 x 6,2 cm

Frandsen ONE included

Net Weight
0,42 kg
F. ONE: 0,18 kg

GRASP GARDEN SPEAR

DESIGNED BY THOMAS ALBERTSEN



ITEM NO.	COLOUR/FINISH	DETAILS	COLLI QTY.	LEAD TIME	SEK EXCL VAT	SEK INCL VAT
136782	● Matt Black	Garden Spear Easy to mount, no cables required	1 pc.	Stock item	2116	2645
136783	● Solid Brass	Garden Spear Easy to mount, no cables required	1 pc.	Stock item	2996	3745
136352	● Opal	Magnetic Light Source Recharged by USB. Charging cable is included.	1 pc.	Stock item	636	795

Test & Certifications
CE

Light Source
Frandsen ONE Light Source

Packaging Dimensions
78 x 21,5 x 37 cm
F. ONE: 10,2 x 11,2 x 6,2 cm

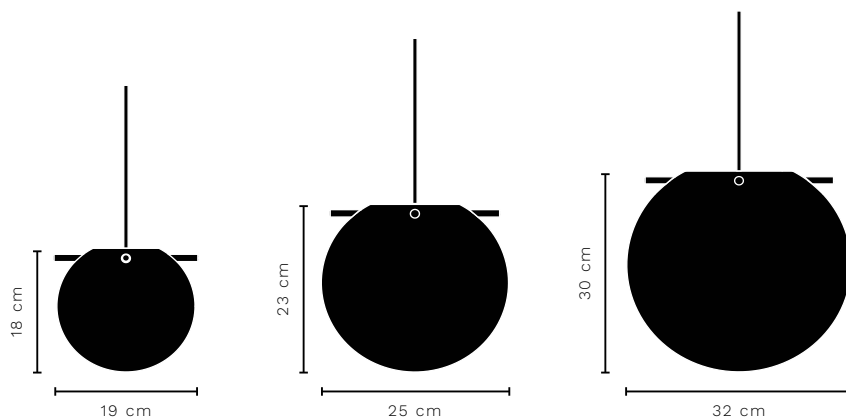
Frandsen ONE included

Net Weight
0,57 kg
F. ONE: 0,18 kg

KOI PENDANT Ø19 + Ø25 + Ø32

DESIGNED BY JONAS BIRKEBÆK POULSEN

WATCH LAMP ONLINE



ITEM NO.	COLOUR/FINISH	DETAILS	COLLI QTY.	LEAD TIME	SEK EXCL VAT	SEK INCL VAT
135352	● Opal Rose/Brass Sticks	Pendant Ø19 300 cm grey fabric cord	1 pc.	Stock item	2116	2645
135351	● Opal White/Black Sticks	Pendant Ø19 300 cm black fabric cord	1 pc.	Stock item	2116	2645
135354	● Opal Rose/Brass Sticks	Pendant Ø25 300 cm grey fabric cord	1 pc.	Stock item	2876	3595
135353	● Opal White/Black Sticks	Pendant Ø25 300 cm black fabric cord	1 pc.	Stock item	2876	3595
135356	● Opal Rose/Brass Sticks	Pendant Ø32 300 cm grey fabric cord	1 pc.	Stock item	3516	4395
135355	● Opal White/Black Sticks	Pendant Ø32 300 cm black fabric cord	1 pc.	Stock item	3516	4395

Test & Certifications

CE

Light Source

Ø19: E14 230V max 25W
 Ø25: E27 230V max 25W
 Ø32: E27 230V max 25W

Bulb not included

Packaging Dimensions

Ø19: 24,5 x 24,5 x 26,5 cm
 Ø25: 30,5 x 30,5 x 33,5 cm
 Ø32: 37,5 x 37,5 x 38,5 cm

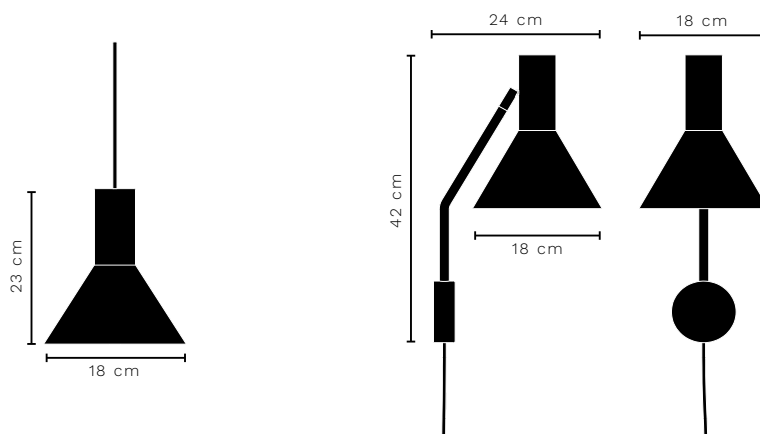
Net Weight

Ø19: 1,00 kg
 Ø25: 1,75 kg
 Ø32: 2,50 kg

LYSS PENDANT + WALL LAMP

DESIGNED BY TONI RIE

WATCH LAMP ONLINE



ITEM NO.	COLOUR/FINISH	DETAILS	COLLI QTY.	LEAD TIME	SEK EXCL VAT	SEK INCL VAT
123038	● Matt Black	Pendant Ø18 300 cm black fabric cord	1 pc.	Stock item	1276	1595
123036	● Matt Almond	Pendant Ø18 300 cm almond fabric cord	1 pc.	Stock item	1276	1595
104642	● Matt Black	Wall lamp 250 cm black fabric cord with on/off switch	1 pc.	Stock item	1756	2195
104640	● Matt Almond	Wall lamp 250 cm almond fabric cord with on/off switch	1 pc.	Stock item	1756	2195

Test & Certifications

CE

Light Source

Pendant: E27 230V MAX 25W
Wall: E27 230V MAX 25W

Bulb not included

Packaging Dimensions

Pendant: 22 x 22 x 21 cm
Wall: 16 x 25 x 52 cm

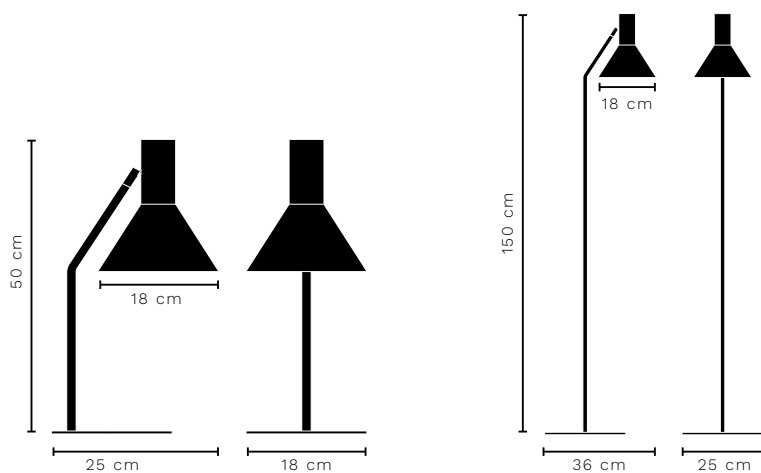
Net Weight

Pendant: 0,75 kg
Wall: 0,80 kg

LYSS TABLE + FLOOR

DESIGNED BY TONI RIE

WATCH LAMP ONLINE



ITEM NO.	COLOUR/FINISH	DETAILS	COLLI QTY.	LEAD TIME	SEK EXCL VAT	SEK INCL VAT
101401	● Matt Black	Table lamp 250 cm black fabric cord with on/off switch	1 pc.	Stock item	1756	2195
101397	● Matt Almond	Table lamp 250 cm almond fabric cord with on/off switch	1 pc.	Stock item	1756	2195
104163	● Matt Black	Floor lamp 300 cm black fabric cord with on/off switch	1 pc.	Stock item	2636	3295
104159	● Matt Almond	Floor lamp 300 cm almond fabric cord with on/off switch	1 pc.	Stock item	2636	3295

Test & Certifications
CE

Light Source
Table: E27 230V MAX 25W
Floor: E27 230V MAX 25W

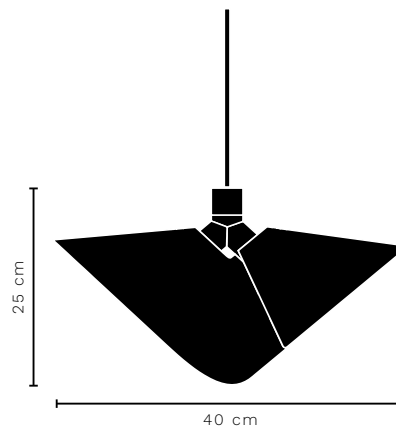
Bulb not included

Packaging Dimensions
Table: 18 x 22 x 57 cm
Floor: 16 x 28 x 91 cm

Net Weight
Table: 1,90 kg
Floor: 3,40 kg

PEEL PENDANT

DESIGNED BY SISSEL GRAM



ITEM NO.	COLOUR/FINISH	DETAILS	COLLI QTY.	LEAD TIME	SEK EXCL VAT	SEK INCL VAT
136683	● Brushed Stainless Steel	Pendant 300 cm transparent pvc cord	1 pc.	Stock item	4396	5495

Test & Certifications
CE

Light Source
2 x G9 230V MAX 40W

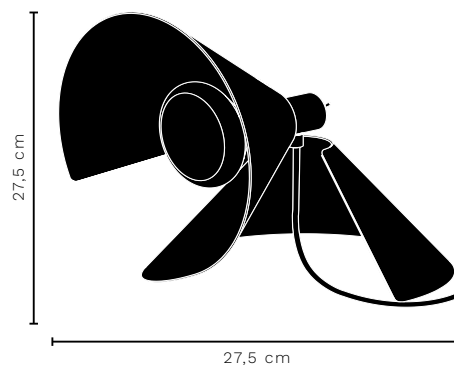
Packaging Dimensions
32 x 32 x 31,6 cm

Bulb not included

Net Weight
2,20 kg

PEEL TABLE

DESIGNED BY SISSEL GRAM



ITEM NO.	COLOUR/FINISH	DETAILS	COLLI QTY.	LEAD TIME	SEK EXCL VAT	SEK INCL VAT
136685	● Brushed Stainless Steel	Table lamp 250 cm transparent pvc cord	1 pc.	Stock item	3756	4695

Test & Certifications
CE

Light Source
G9 230V MAX 40W

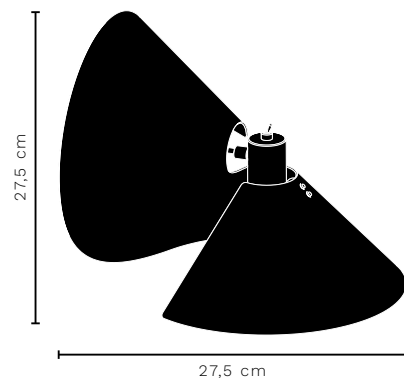
Packaging Dimensions
32 x 32 x 31,6 cm

Bulb not included

Net Weight
1,80 kg

PEEL WALL

DESIGNED BY SISSEL GRAM



ITEM NO.	COLOUR/FINISH	DETAILS	COLLI QTY.	LEAD TIME	SEK EXCL VAT	SEK INCL VAT
136686	● Brushed Stainless Steel	Wall lamp 250 cm transparent pvc cord	1 pc.	Stock item	3756	4695

Test & Certifications
CE

Light Source
G9 230V MAX 40W

Packaging Dimensions
32 x 32 x 31,6 cm

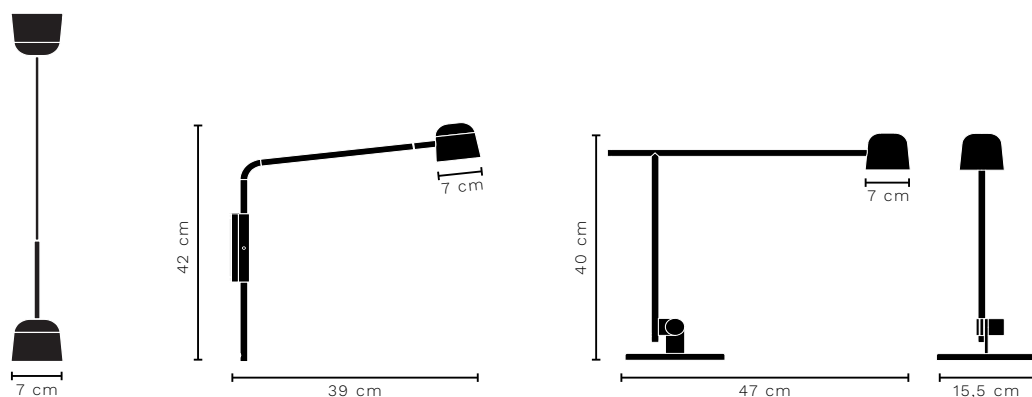
Bulb not included

Net Weight
2,00 kg

SATELLITE PENDANT + WALL + TABLE

DESIGNED BY FRIIS & MOLTKE

WATCH LAMP ONLINE



ITEM NO.	COLOUR/FINISH	DETAILS	COLLI QTY.	LEAD TIME	SEK EXCL VAT	SEK INCL VAT
136079	● Matt Black	Pendant Ø7 300 cm black PVC cord. 512 lm, 3000K, CRI: ≥ 90	1 pc.	Stock item	1876	2345
123043	● Matt Black	Table lamp 200 cm black PVC cord. On/off dimmer on shade. 452 lm, 3000K, CRI: ≥ 90	1 pc.	Stock item	3756	4695
136184	● Matt Black	Wall lamp 250 cm black PVC cord. On/off dimmer on shade. 452 lm, 3000K, CRI: ≥ 90	1 pc.	Stock item	2756	3445

Test & Certifications

CE

Light Source

Pendant: Integrated 8W LED
 Wall: Integrated 6W LED
 Table: Integrated 6W LED

Packaging Dimensions

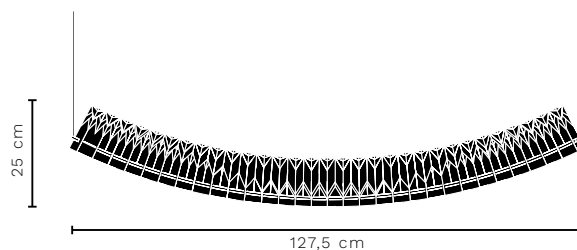
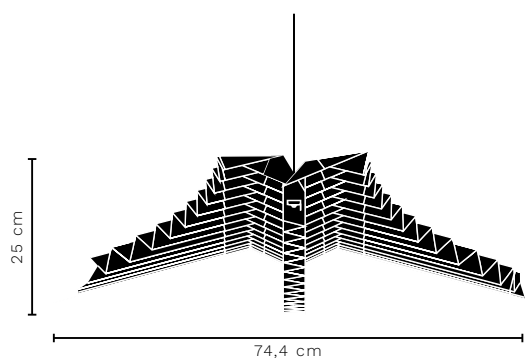
Pendant: 27,3 x 19 x 9
 Wall: 61 x 28 x 9,5 cm
 Table: 20 x 20 x 50 cm

Net Weight

Pendant: 0,54 kg
 Wall: 0,86 kg
 Table: 2,50 kg

SORA

DESIGNED BY FUNG+BEDFORD



ITEM NO.	COLOUR/FINISH	DETAILS	COLLI QTY.	LEAD TIME	SEK EXCL VAT	SEK INCL VAT
135576	Solid Brass/ White	Pendant 300 cm white fabric cord	1 pc.	Stock item	10636	13295

Test & Certifications
CE

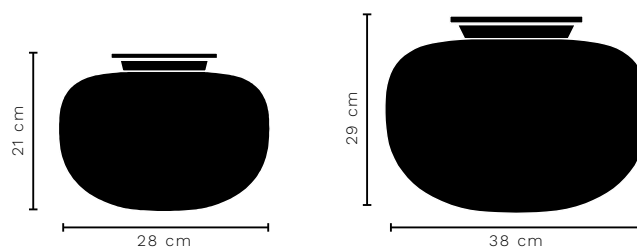
Light Source
Integrated LED

Packaging Dimensions
28,5 x 129,5 x 12 cm

Net Weight
1,8 kg

SUPERNATE CEILING LIGHT

DESIGNED BY JONAS WAGELL



ITEM NO.	COLOUR/FINISH	DETAILS	COLLI QTY.	LEAD TIME	SEK EXCL VAT	SEK INCL VAT
135888	● Opal White/Black	Ceiling light Ø28 Fixture to be installed directly on the ceiling	1 pc.	Stock item	2636	3295
135889	● Opal White/Black	Ceiling light Ø38 Fixture to be installed directly on the ceiling	1 pc.	Stock item	4276	5345

Test & Certifications
CE

Light Source
Ø28: E27 230V MAX 15W
Ø38: E27 230V MAX 15W

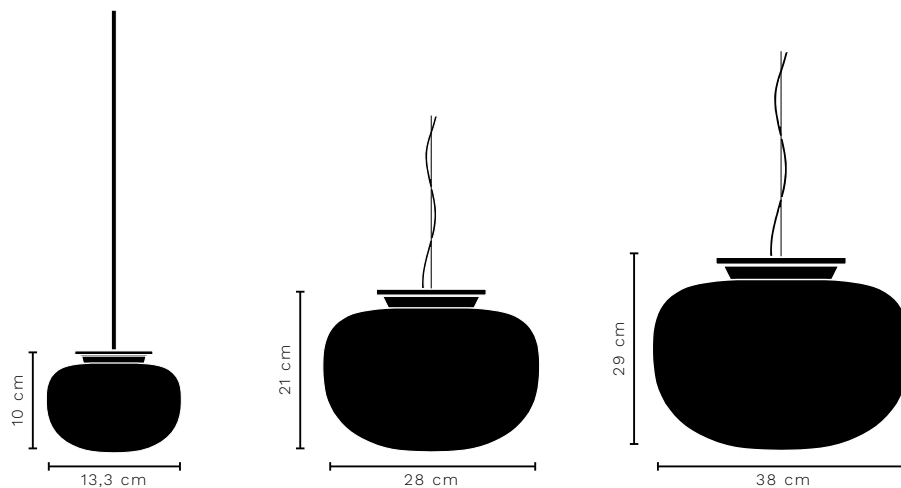
Bulb not included

Packaging Dimensions
Ø28: 34 x 34 x 37 cm
Ø38: 43,5 x 43,5 x 43,5 cm

Net Weight
Ø28: 2,20 kg
Ø38: 3,90 kg

SUPERNATE PENDANT Ø13,3 + Ø28 + Ø38

DESIGNED BY JONAS WAGELL



ITEM NO.	COLOUR/FINISH	DETAILS	COLLI QTY.	LEAD TIME	SEK EXCL VAT	SEK INCL VAT
135885	● Opal White/Black	Pendant Ø13,3 300 cm black rubber cord	1 pc.	Stock item	1276	1595
135886	● Opal White/Black	Pendant Ø28 300 cm black rubber cord with steel wire	1 pc.	Stock item	2636	3295
135887	● Opal White/Black	Pendant Ø38 300 cm black rubber cord with steel wire	1 pc.	Stock item	4276	5345

Test & Certifications

CE

Light Source

Ø13,3: G9 230V MAX 2,5W
 Ø28: E27 230V MAX 15W
 Ø38: E27 230V MAX 15W

Bulb not included

Packaging Dimensions

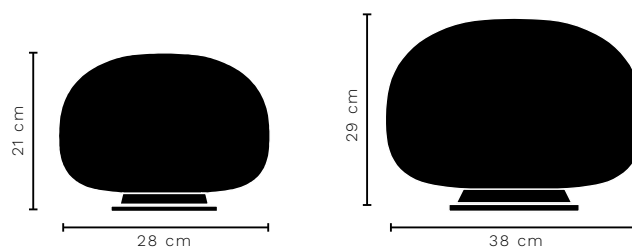
Ø13,3: 21,5 x 21,5 x 25,5 cm
 Ø28: 34 x 34 x 37 cm
 Ø38: 43,5 x 43,5 x 43,5 cm

Net Weight

Ø13,3: 0,70 kg
 Ø28: 2,20 kg
 Ø38: 3,90 kg

SUPERNATE TABLE Ø28 + Ø38

DESIGNED BY JONAS WAGELL



ITEM NO.	COLOUR/FINISH	DETAILS	COLLI QTY.	LEAD TIME	SEK EXCL VAT	SEK INCL VAT
136456	● Opal White/Black	Table lamp Ø28 250 cm black rubber cord with dimmer switch	1 pc.	Stock item	2636	3295
136457	● Opal White/Black	Table lamp Ø38 250 cm black rubber cord with dimmer switch	1 pc.	Stock item	4276	5345

Test & Certifications
CE

Light Source
Ø28: E27 230V MAX 15W
Ø38: E27 230V MAX 15W

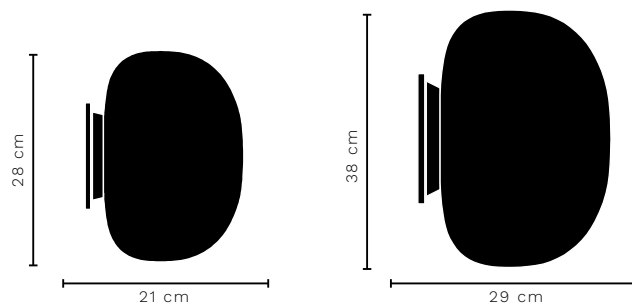
Bulb not included

Packaging Dimensions
Ø28: 34 x 34 x 37 cm
Ø38: 43,5 x 43,5 x 43,5 cm

Net Weight
Ø28: 2,20 kg
Ø38: 3,90 kg

SUPERNATE WALL Ø28 + Ø38

DESIGNED BY JONAS WAGELL



ITEM NO.	COLOUR/FINISH	DETAILS	COLLI QTY.	LEAD TIME	SEK EXCL VAT	SEK INCL VAT
135890	● Opal White/Black	Wall lamp Ø28 250 cm black rubber cord with dimmer switch	1 pc.	Stock item	2636	3295
135891	● Opal White/Black	Wall lamp Ø38 250 cm black rubber cord with dimmer switch	1 pc.	Stock item	4276	5345

Test & Certifications

CE

Light Source

Ø28: E27 230V MAX 15W
Ø38: E27 230V MAX 15W

Bulb not included

Packaging Dimensions

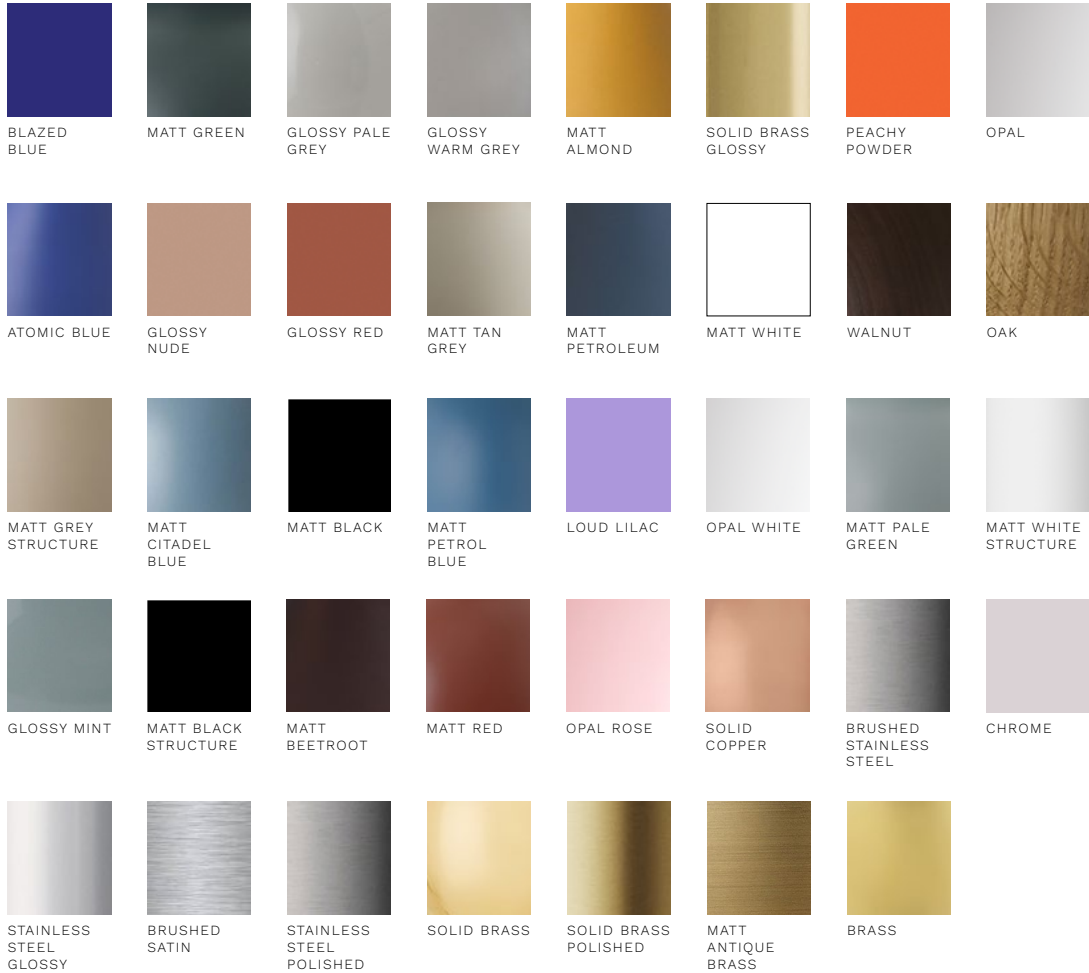
Ø28: 34 x 34 x 37 cm
Ø38: 43,5 x 43,5 x 43,5 cm

Net Weight

Ø28: 2,20 kg
Ø38: 3,90 kg

FRANSEN

COLOURS



FRANDSEN

EGESKOVVEJ 29

8700 HORSENS, DENMARK

+45 7658 1818

WWW.FRANDSEN.COM

FRANDSEN@NINEUNITED.COM